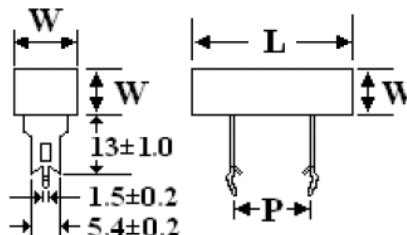


### Features:

- Special lead configurations
- RoHS compliant / lead-free
- See CB data sheet for performance and environmental specifications.



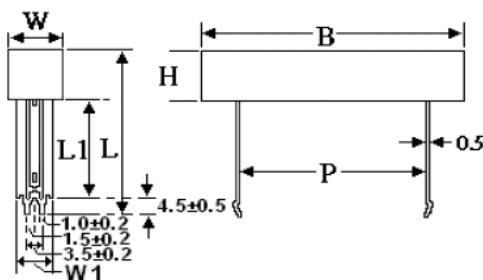
### NSZ 1



### NSZ 1 Specifications

Type / Code	Power Rating (Watts) @ 25°C	Maximum Working Voltage	Resistance Range Wirewound	Resistance Range Metal Oxide	L	W	P	Unit
NSZ1	5W	300V	0.1Ω - 220Ω	240Ω - 50KΩ	1.06 ± 0.039 27 ± 1.0	0.39 ± 0.039 10 ± 1.0	0.59 ± 0.039 15 ± 1.0	inches mm
NSZ1	7W	350V	0.1Ω - 220Ω	240Ω - 50KΩ	1.38 ± 0.039 35 ± 1.0	0.39 ± 0.039 10 ± 1.0	0.89 ± 0.039 22.5 ± 1.0	inches mm
NSZ1	10W	500V	0.1Ω - 220Ω	240Ω - 50KΩ	1.89 ± 0.039 48 ± 1.0	0.39 ± 0.039 10 ± 1.0	1.38 ± 0.039 35 ± 1.0	inches mm

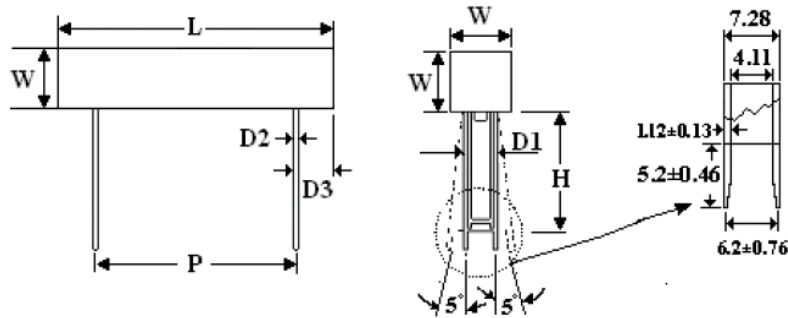
### NSZ 2



### NSZ 2 Specifications

Type / Code	Power Rating (Watts) @ 25°C	Maximum Working Voltage	Resistance Range Wirewound	Resistance Range Metal Oxide	B	H	W	W1	P	L	L1	Unit
NSZ2	3W	200V	0.1Ω - 220Ω	240Ω - 50KΩ	0.98 ± 0.039 25 ± 1	0.39 ± 0.02 9.8 ± 0.5	0.39 ± 0.02 9.8 ± 0.5	0.29 ± 0.004 7.3 ± 1	0.49 ± 0.039 12.5 ± 1	1.15 ± 0.039 29.3 ± 1	0.59 +0.08/-0.04 15 +2/-1	inches mm
NSZ2	5W	300V	0.1Ω - 220Ω	240Ω - 50KΩ	1.1 ± 0.039 28 ± 1	0.39 ± 0.02 9.8 ± 0.5	0.39 ± 0.02 9.8 ± 0.5	0.29 ± 0.004 7.3 ± 1	0.59 ± 0.039 15 ± 1	1.15 ± 0.039 29.3 ± 1	0.59 +0.08/-0.04 15 +2/-1	inches mm
NSZ2	7W	350V	0.1Ω - 220Ω	240Ω - 50KΩ	1.4 ± 0.039 35.5 ± 1	0.39 ± 0.02 9.8 ± 0.5	0.39 ± 0.02 9.8 ± 0.5	0.29 ± 0.004 7.3 ± 1	0.89 ± 0.039 22.5 ± 1	1.15 ± 0.039 29.3 ± 1	0.59 +0.08/-0.04 15 +2/-1	inches mm
NSZ2	10W	500V	0.1Ω - 220Ω	240Ω - 50KΩ	1.89 ± 0.039 48 ± 1	0.39 ± 0.02 9.8 ± 0.5	0.39 ± 0.02 9.8 ± 0.5	0.29 ± 0.004 7.3 ± 1	1.38 ± 0.039 35 ± 1	1.15 ± 0.039 29.3 ± 1	0.59 +0.08/-0.04 15 +2/-1	inches mm
NSZ2	15W	500V	0.1Ω - 220Ω	240Ω - 50KΩ	1.89 ± 0.039 48 ± 1	0.47 ± 0.02 12 ± 0.5	0.47 ± 0.02 12 ± 0.5	0.29 ± 0.004 7.3 ± 1	1.28 ± 0.039 32.5 ± 1	1.24 ± 0.039 31.5 ± 1	0.59 +0.08/-0.04 15 +2/-1	inches mm

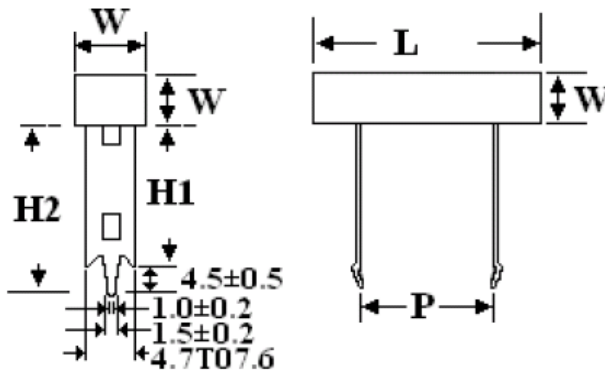
### NSZ 3



### NSZ 3 Specifications

Type / Code	Power Rating (Watts) @ 25°C	Maximum Working Voltage	Resistance Range Wirewound	Resistance Range Metal Oxide	L	W	P	H	D1	D2	D3 MIN	Unit
NSZ3	5W	300V	0.1Ω - 220Ω	240Ω - 50KΩ	1.06 +0.04/-0.08 27 +1.02/-2.03	0.39 ±0.05 10 ±1.27	0.59 ±0.06 15 ±1.52	0.39 ±0.085 10 ±2.085	0.29 ±0.012 7.3 ±0.31	0.02 ±0.04 0.46 ±0.1	0.24 6.2	inches mm
NSZ3	7W	350V	0.1Ω - 220Ω	240Ω - 50KΩ	1.43 +0.04/-0.08 36.4 +1.02/-2.03	0.39 ±0.05 10 ±1.27	0.89 ±0.06 22.49 ±1.52	0.98 ±0.085 24.93 ±2.085	0.29 ±0.012 7.28 ±0.31	0.02 ±0.04 0.46 ±0.1	0.15 3.81	inches mm
NSZ3	10W	500V	0.1Ω - 220Ω	240Ω - 50KΩ	1.89 +0.04/-0.08 47.97 +1.02/-2.03	0.39 ±0.05 9.82 ±1.27	1.38 ±0.06 35.03 ±1.52	0.98 ±0.085 24.93 ±2.085	0.29 ±0.012 7.28 ±0.31	0.02 ±0.04 0.46 ±0.1	0.15 3.81	inches mm
NSZ3	15W	500V	0.1Ω - 220Ω	240Ω - 50KΩ	1.89 +0.04/-0.08 47.9 +1.02/-2.03	0.49 ±0.05 12.49 ±1.27	1.28 ±0.06 32.49 ±1.52	0.98 ±0.085 24.93 ±2.085	0.29 ±0.012 7.28 ±0.31	0.02 ±0.04 0.46 ±0.1	0.15 3.81	inches mm

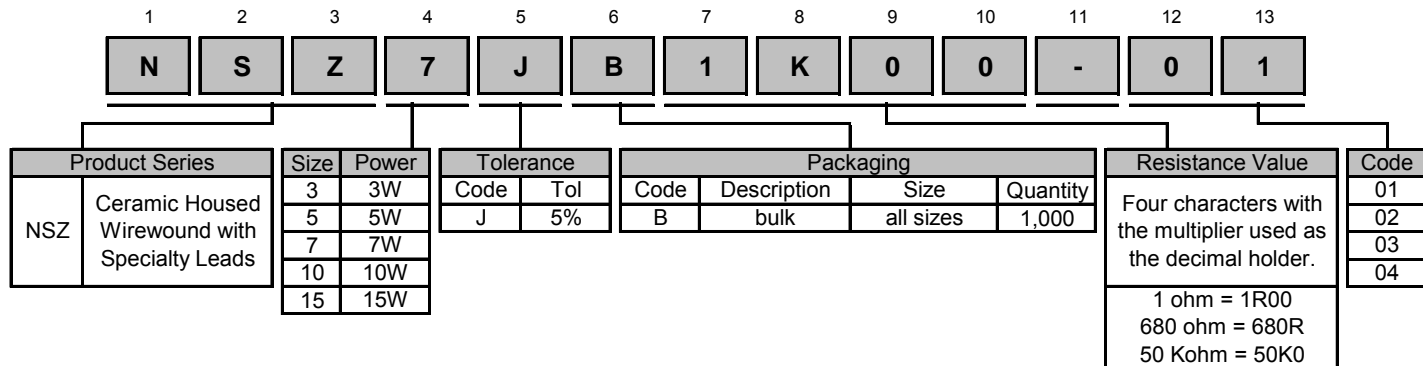
### NSZ 4



### NSZ 4 Specifications

Type / Code	Power Rating (Watts) @ 25°C	Maximum Working Voltage	Resistance Range Wirewound	Resistance Range Metal Oxide	H1	H2	L MAX	P	W MAX	Unit
NSZ4	5W	300V	0.1Ω - 220Ω	240Ω - 50KΩ	0.98 ±0.039 25 ±1	1.18 ±0.039 30 ±1	1.06 27	0.59 ±0.039 15 ±1	0.39 10	inches mm
NSZ4	7W	350V	0.1Ω - 220Ω	240Ω - 50KΩ	0.8 ±0.039 25 ±1	1.26 ±0.039 32 ±1	1.38 35	0.94 ±0.039 24 ±1	0.39 10	inches mm
NSZ4	10W	500V	0.1Ω - 220Ω	240Ω - 50KΩ	0.98 ±0.039 25 ±1	1.26 ±0.039 32 ±1	1.89 48	1.38 ±0.039 35 ±1	0.39 10	inches mm

## How to Order



Legacy Part Number (before January 3, 2011):

SEI Type	Code	Power Ratings	Nominal Resistance	Tolerance	Packaging			
<b>NSZ</b>	<b>1</b>	<b>7</b>	<b>1K</b>	<b>5%</b>	<b>A</b>			

Type	Description	Code	Code	Watts	Tolerance	Values	Types	Qty	Description	Code
NSZ	Ceramic Housed Wirewound with Specialty Leads	1	3	3W	5%	E24	All	1,000	Bulk	A
		2	5	5W						
		3	7	7W						
		4	10	10W						
			15	15W						